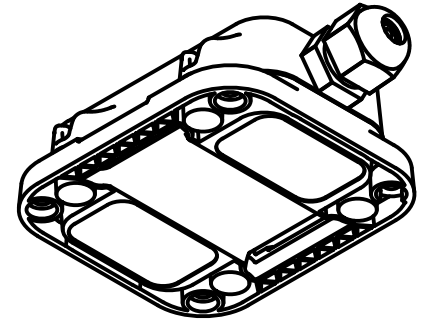
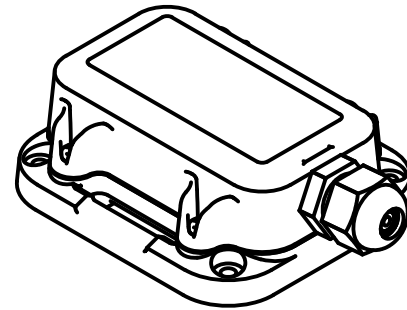
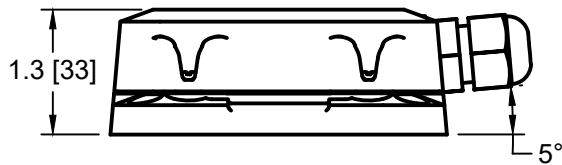
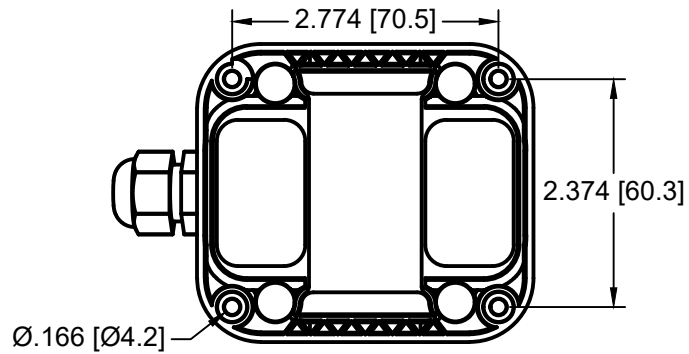
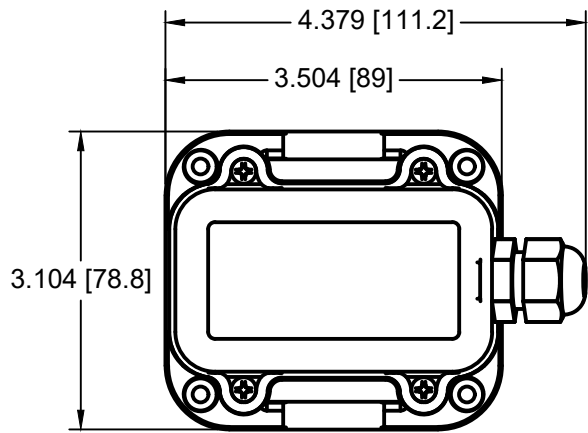


PARTS LIST		
ITEM	QTY	PART NAME
1	1	S3L-353113
2	1	STAINLESS GLAND
3	1	ARMORED USB (**=M)
4	1	13/16 UN-F USB A
5	1	PIPE MOUNT KIT

Last 2 Digits of Part N° indicate cable length in meters



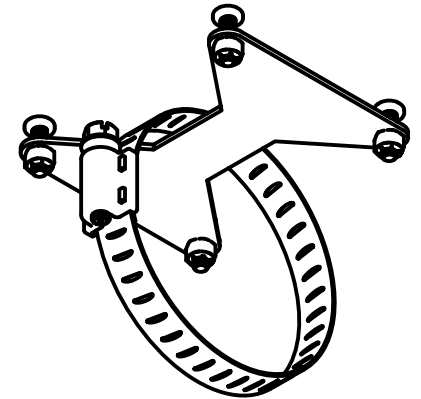
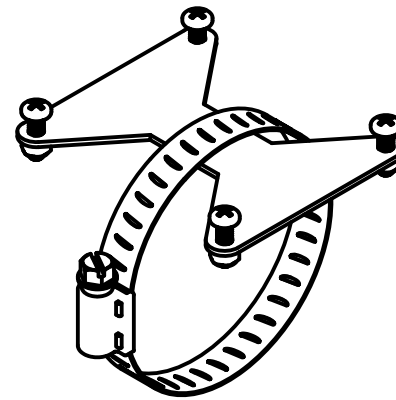
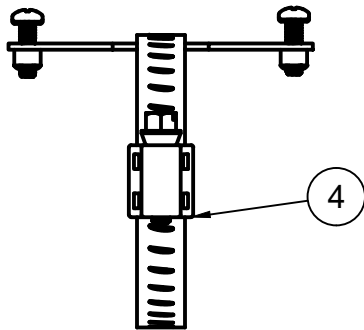
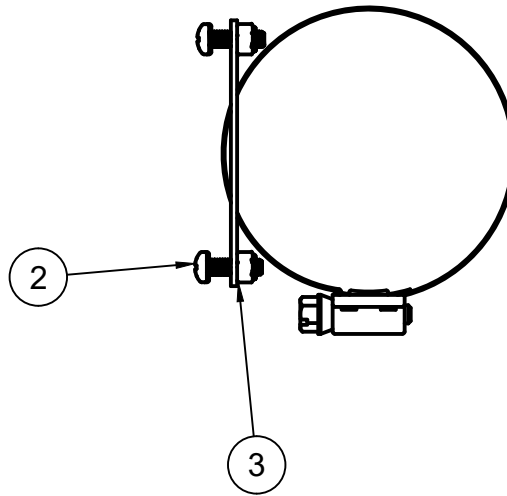
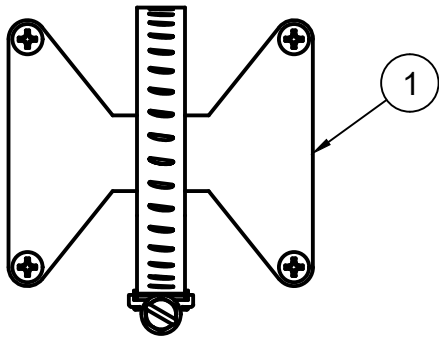
PROJECT Venari GPS			
TITLE GPS Kit			
PART N° NWT-GPS-USB-OAS-**			
DRAWN Brian Ellis	2022-Jun-01	UNITS IN [MM]	REV C
RELEASE PUBLIC	SCALE 1:3	SHEET 1/3	



PROJECT			
Venari GPS			
TITLE			
Enclosure Detail			
PART N°			
NWT-GPS-USB-OAS-**			
DRAWN	2022-Jun-01	UNITS	REV
Brian Ellis		IN [MM]	C
RELEASE	SCALE 1:2	SHEET	
PUBLIC	SIZE A (11"x8½")	2/3	

PARTS LIST

ITEM	QTY	PART NAME
1	1	AL MOUNTING PLATE
2	4	M4X0.7X14 SS PAN PHILLIPS
3	4	M4X.07 SS NYLOCK NUT
4	1	1/2X52-76 SS BAND CLAMP



PROJECT
Venari GPS

TITLE
Pipe Mount Detail
PART N°
NWT-GPS-USB-OAS-**

DRAWN Brian Ellis	2022-Jun-01	UNITS IN [MM]	REV C
RELEASE PUBLIC	SCALE 1:2	SHEET 3/3	

